



CAN DISPLAY DASH & LOGGER SYSTEM QUICK START GUIDE



CD-7	
30-5500	Non-Logging Display
30-5501	Logging Display
30-5502	Non-Logging Display w/Vehicle Dynamics Module
30-5503	Logging Display w/Vehicle Dynamics Module
30-5700	Carbon Non-Logging Display
30-5701	Carbon Logging Display
30-5702	Carbon Non-Logging Display w/Internal GPS
30-5703	Carbon Logging Display w/Internal GPS

CD-5	
30-5600	Non-Logging Display
30-5601	Logging Display
30-5602	Non-Logging Display w/Internal GPS
30-5603	Logging Display w/Internal GPS

AEM Performance Electronics
 2205 126th Street Unit A, Hawthorne, CA 90250
 Phone: (310) 484-2322 Fax: (310) 484-0152
<http://www.aemelectronics.com>
 Instruction Part Number: 10-5500-QS
 Document Build 6/7/2018

Introduction

The purpose of this Quick Start Guide is to provide an overview of the installation and setup of the CAN Display (CD) dash. This guide assumes that an AEM-supplied pre-configured layout file is to be used which greatly simplifies the setup process. If not using a pre-configured layout or choosing to make changes beyond what is covered beyond the scope of this guide, please refer to the full CD dash user manual located in Documents\AEM\DashDesign\Instructions. The document is installed as part of the software installation process.

Software Installation

AEM DashDesign is distributed as a single install executable. To install, visit aemelectronics.com and click on Software Downloads and navigate to CD Dash/DashDesign. Download the software and then run the AEM DashDesign Setup.exe and follow the on-screen instructions including restarting computer if prompted to do so. If using the logging version of dash, also download and install AEMdata for downloading and analyzing data logs.

USB Drivers

The installation program will automatically install the USB drivers required for the CD dash. However, on rare occasions, it may be necessary to install the USB drivers manually. To do this:

- Connect the CD dash to the PC with the USB comms cable
- When the add new hardware wizard appears, select "Install from a list or specific location" and click Next
- Choose "Search for the best driver in these locations" and check "Include this location in the search"
- Click the Browse button and navigate to the Drivers folder sub folder in the AEM DashDesign installation directory: C:\Program Files (x86)\AEMDashDesign\CD-X_Drivers
- Click the Next button and the driver installation will proceed automatically.

Hardware Installation

The CD dash is designed for use in closed and open cockpit motorsports, marine and motorcycle use. The CD dash enclosure is IP65 rated for protection against dust and low pressure water spray. Mount the CD dash with good line of sight with the driver/rider using the included anti-vibe mounts. The last page of this Quick Start Guide is a mounting template for the dash.

Wiring

Two wiring harnesses are included with the dash kit. One is the main harness that plugs into the back of the dash with leads for the AEMnet/Port 1 and Port 2 CAN inputs. The other is a power harness that plugs into the 4 pin AEMnet connector. This power harness is used to supply power and ground to the dash. It is only necessary if connecting to a non-AEM harness or an AEMNet connector with only 2 pins terminated. See Figure 1 and Figure 2. It is not necessary if you are connecting your dash to a harness manufactured by AEM that includes an AEMNet connector with all 4 pins populated. See Figure 3.

Connecting to Non-AEMnet Devices

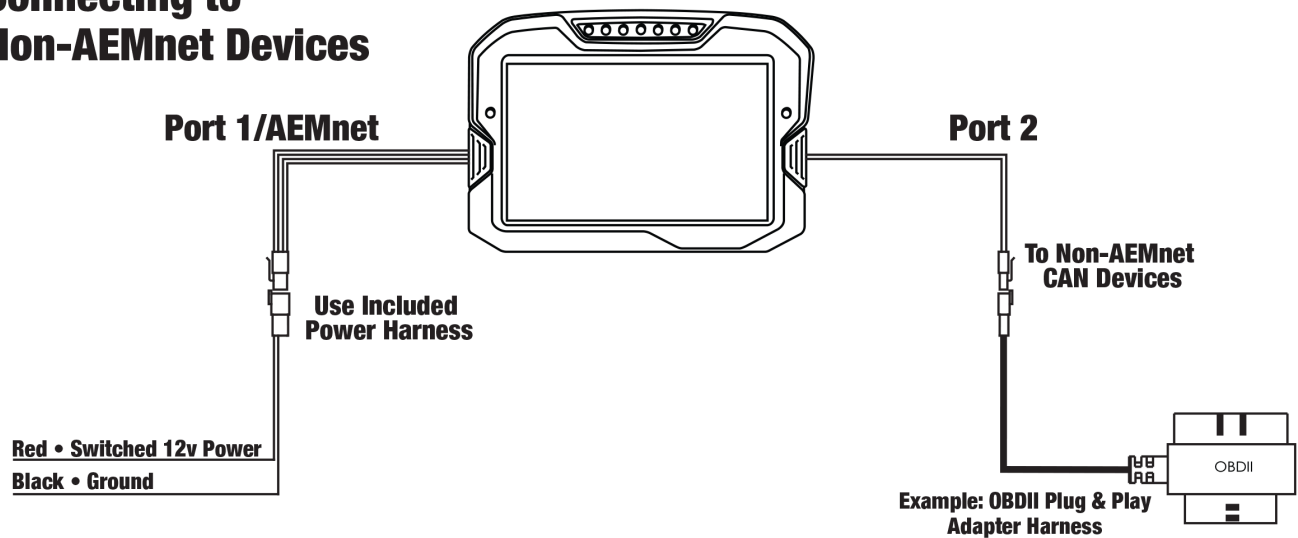
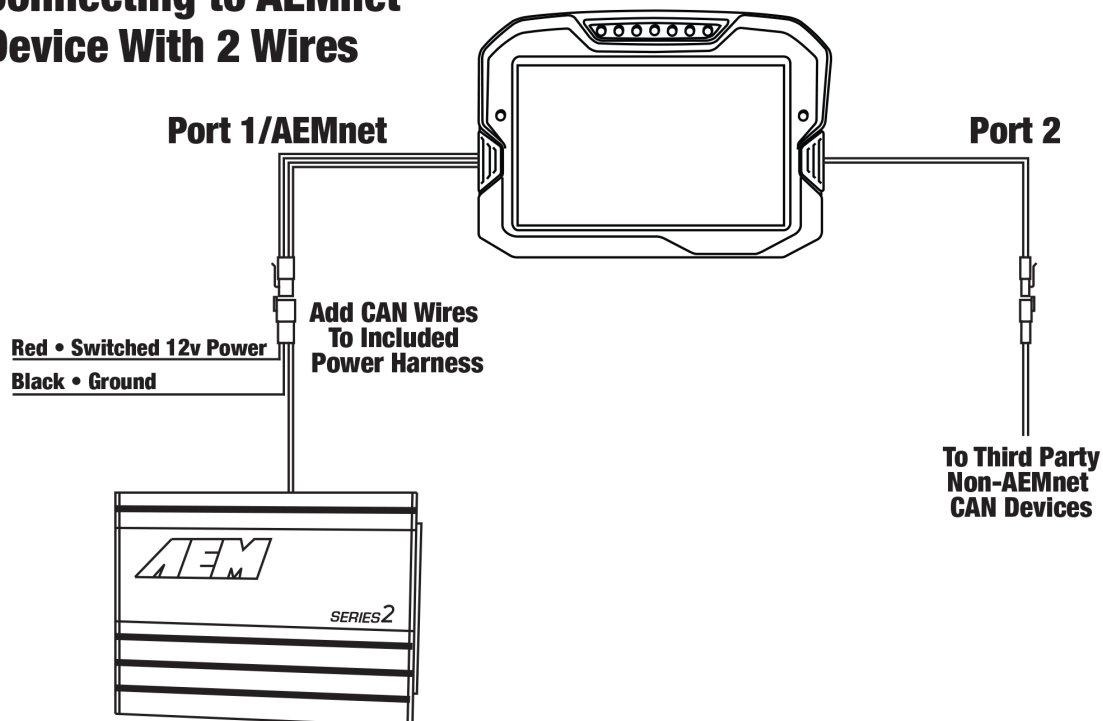


Figure 1 - Connecting CD dash to non-AEMnet devices requires that included power harness be used to supply power and ground to the dash. Red and black wires from power harness connector should be connected to switched, fused 12v power and ground, respectively.

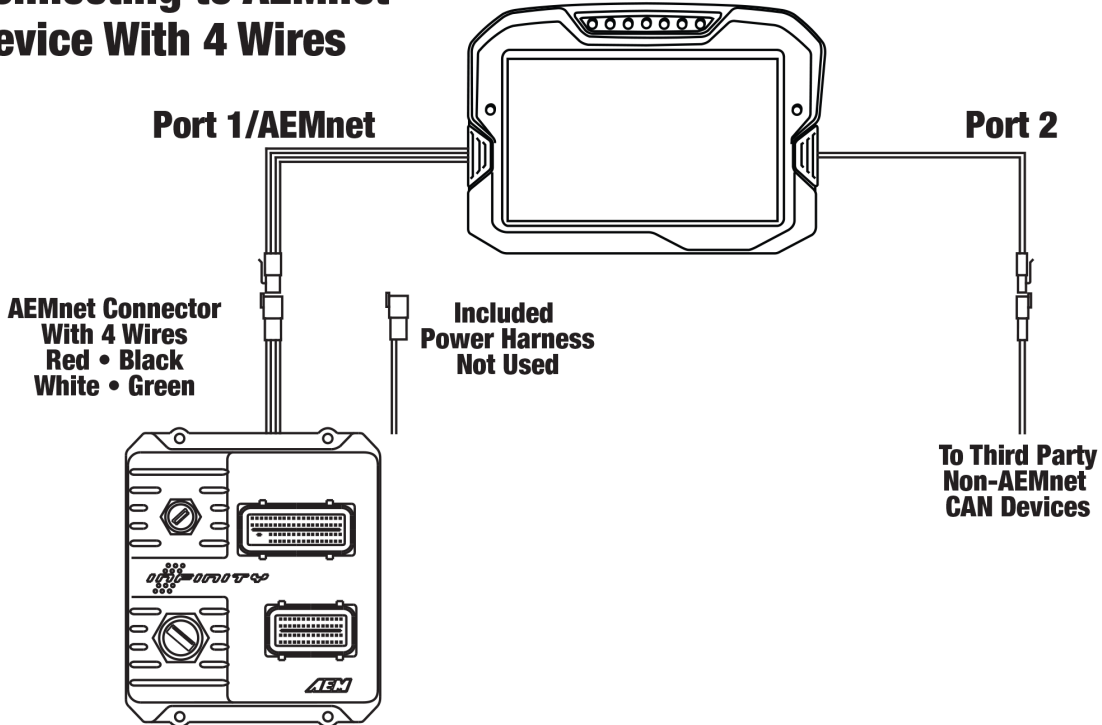
Connecting to AEMnet Device With 2 Wires



**All Series 2 EMS's
AEMnet CAN Wires Must Be Added To Wiring Harness**

Figure 2 - Connecting CD dash to AEMnet devices with only a 2 wire interface requires that the included power harness be used to supply power and ground to the dash. Add the two CAN signal wires for a complete connection. Red and black wires from power harness connector should be connected to switched, fused 12v power and ground, respectively.

Connecting to AEMnet Device With 4 Wires



**Most Infinity ECU's with Plug & Play Wiring Harness
EMS-4 • 4 Ch Wideband UEGO Controller**

Figure 3 - Connecting CD dash to AEMnet devices that have four wires present in their AEMnet connector is "plug and play" because the transmit device is providing power, ground and CAN communications through their AEMnet connector. Included power harness should not be used.

Dash Pinout & Optional Wiring

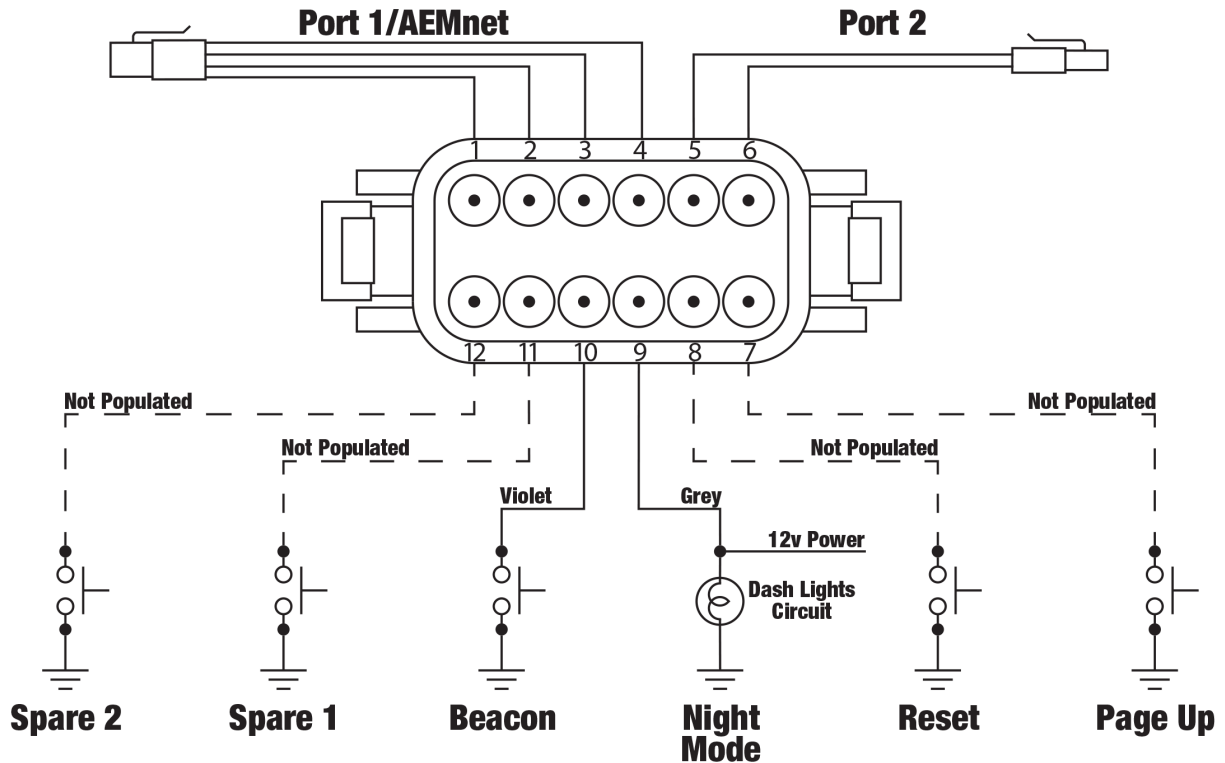


Figure 4 - Connector Interfaces

CD DASH PINOUT			
PIN	WIRE COLOR	FUNCTION	NOTES
1	RED	12V POWER	Connect to switched, fused +12v power source
2	BLACK	GROUND	Ensure good ground connection that isn't shared with high noise emitters such as ignition systems
3	WHITE	AEMNET/PORT 1 CAN+	CAN+; typically reserved for AEMnet devices; use twisted pair wiring to minimize signal noise
4	GREEN	AEMNET/PORT 1 CAN-	CAN-; typically reserved for AEMnet devices; use twisted pair wiring to minimize signal noise
5	SILVER	PORT 2 CAN+	CAN+; for use with third party CAN devices; use twisted pair wiring to minimize signal noise
6	BLACK	PORT 2 CAN-	CAN-; for use with third party CAN devices; use twisted pair wiring to minimize signal noise
7	NOT POPULATED	PAGE UP	*OPTIONAL* Remote Page Up (left dash button) input; use momentary switch to ground
8	NOT POPULATED	RESET	*OPTIONAL* Remote Reset (right dash button) input; use momentary switch to ground
9	GRAY	NIGHT MODE	*OPTIONAL* Triggers Night Mode to dim dash display; connect to 12v dash lights circuit
10	VIOLET	BEACON	*OPTIONAL* Sets start/finish line beacon if using GPS for track mapping; use momentary switch to ground
11	NOT POPULATED	SPARE 1	*OPTIONAL* Spare switch input; typically used for turn signals; switch must connect to ground
12	NOT POPULATED	SPARE 2	*OPTIONAL* Spare switch input; typically used for turn signals; switch must connect to ground

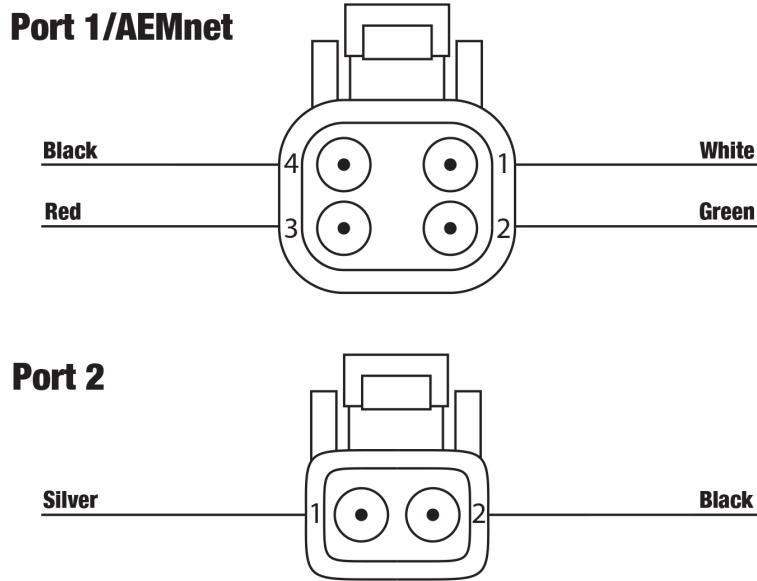


Figure 5 - CAN connector port pinouts

PORT 1/AEMnet		
PIN	WIRE COLOR	FUNCTION
1	WHITE	Port 1/AEMnet CAN+
2	GREEN	Port 1/AEMNet CAN-
3	RED	+12v Power
4	BLACK	Ground

PORT 2		
PIN	WIRE COLOR	FUNCTION
1	SILVER	Port 2 CAN+
2	BLACK	Port 2 CAN-

Communication Cables

The CD dash comes in two primary versions: logging and non-logging. Logging CD dashes come with two USB comms cables: one sealed bulkhead cable and one standard cable. The bulkhead cable is to be permanently connected to the dash and mounted in an accessible location to allow for more frequent connections in order to download data logs. Non-logging dashes come with a standard USB comms cable for dash configuration.

Uploading Layout File

AEM provides ready to use layout files that are pre-configured for use with popular engine management systems and other CAN devices. Files for many popular systems are available and more are being added continuously.

Start by opening the DashDesign software and go File>Open and navigate to Documents\AEM\DashDesign\Setups\App Specific in the DashDesign directory to find the appropriate layout file for the CAN device being used with the CD dash. The pre-configured file will have all of the display elements in the layout correctly assigned to the appropriate channel inputs being received from the CAN device that the dash is paired with. No additional layout changes should be necessary.

With the dash powered on, connect the dash to the PC using the USB comms cable – check that the status bar is green and indicates that the CD dash is connected. To upload the layout file go to File>Upload to Display or use keyboard short cut CTRL+U. File upload transfer progress can be monitored on the dash screen. USB comms cable can be disconnected once the status bar is green and indicates “Upload Complete, OK to disconnect”. Do

NOT disconnect the USB cable before this message appears. When the USB cable is disconnected from the PC, the dash will reset and then display the loaded layout file.



Figure 6 - Status bar in DashDesign software. Do NOT disconnect USB cable until OK to disconnect message is shown.

Uploading Firmware

It's good practice to ensure that the CD dash is loaded with the latest firmware. To upload firmware to the dash, open DashDesign software, connect the CD dash to the PC using the USB comms cable - check that status bar is green and indicates that the CD dash is connected - and go Tools>Upload Firmware. Locate CD7-XXxXX.bin file and click Open. Status bar will be blue during firmware upload and then turn green and indicate "Firmware upload OK" when complete.

Dash Interface

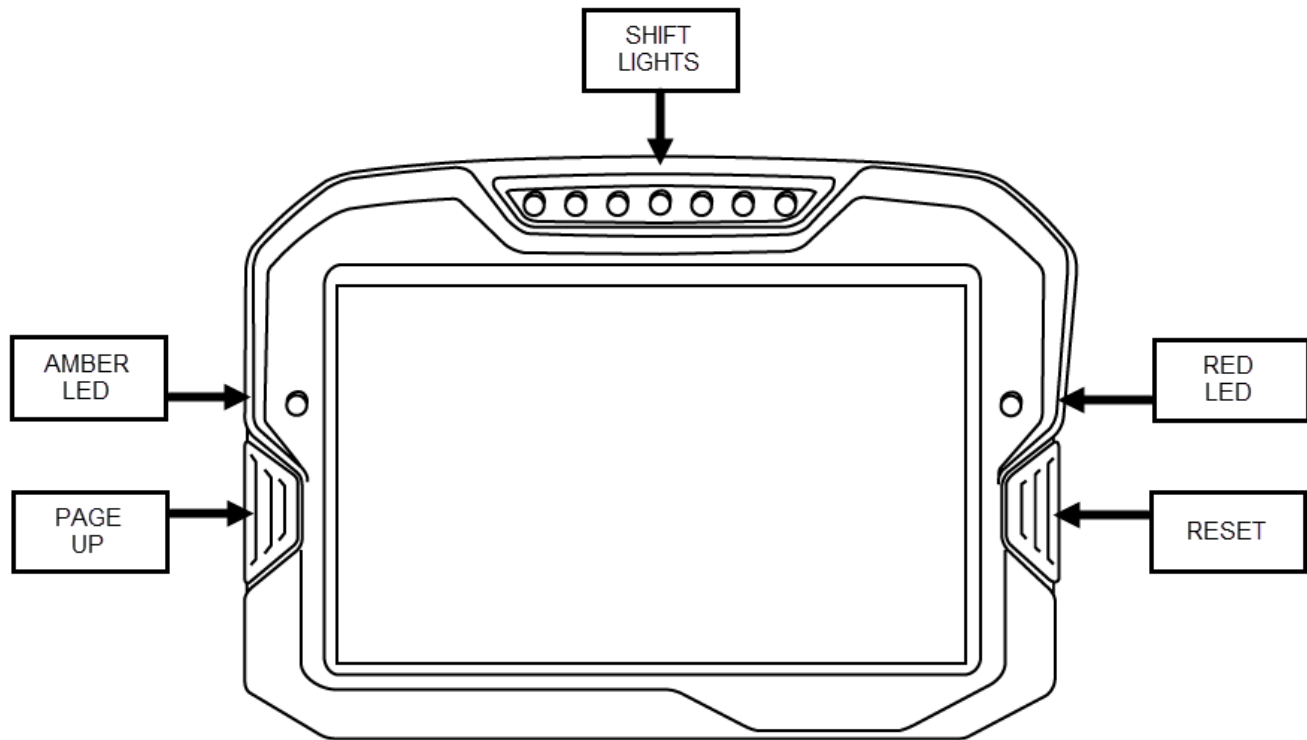


Figure 7 - Dash Interfaces

LEDs

All LEDs are configured by going to Setup>Shift Lights and LEDs.

- **Amber** - No dedicated function. Is triggered by alarm channels only. Custom triggering criteria possible.
- **Red** - No dedicated function - is commonly used for MIL/CEL. Is triggered by alarm channels only. Custom triggering criteria possible.
- **Shift Lights** - LED color from left to right: green, green, amber, amber, blue, blue blue. To set up shift light, click on Auto Create Outputs in Shift Light Setup to launch Shift Light Wizard.
 - **Output** - Set to channel to be referenced. This is typically EngineSpeed.
 - **Start** - Set to the rpm at which to light the first green LED
 - **Offset** - Sets the rpm increment to light the next LED.

Shift Light Wizard Example: Take total shift light rpm range (flash rpm - start rpm) and divide by 7 (total number of LEDs). For instance, to have shift light start at 5000 rpm and flash at 7000 rpm, set offset to 285 (7000-5000/7).

Buttons

Buttons are accessible directly from the face of the dash itself or may be remotely mounted (on steering wheel, etc) - see Optional Wiring.

- **Left** - Page Up. Press once to move to next display screen. Press to clear Alarm Screen and return to regular display pages.
- **Right** - Reset. Resets any count up, count down or lap timers that are currently being shown on the displayed screen.

Track Mapping VDM, GPS Module or Internal GPS

An AEM Vehicle Dynamics Module (VDM; 30-2206) or GPS Module (30-2207) can be paired with a CD dash to provide GPS data for race track mapping and lap timing. The module is added to the Port 1/AEMnet network using the AEMnet connector "Y" in its cable – see Figure 8 and VDM/GPS Module instruction manual for full installation guidelines. Products with internal GPS capabilities like the CD-5 can be connected as shown in Figure 9.

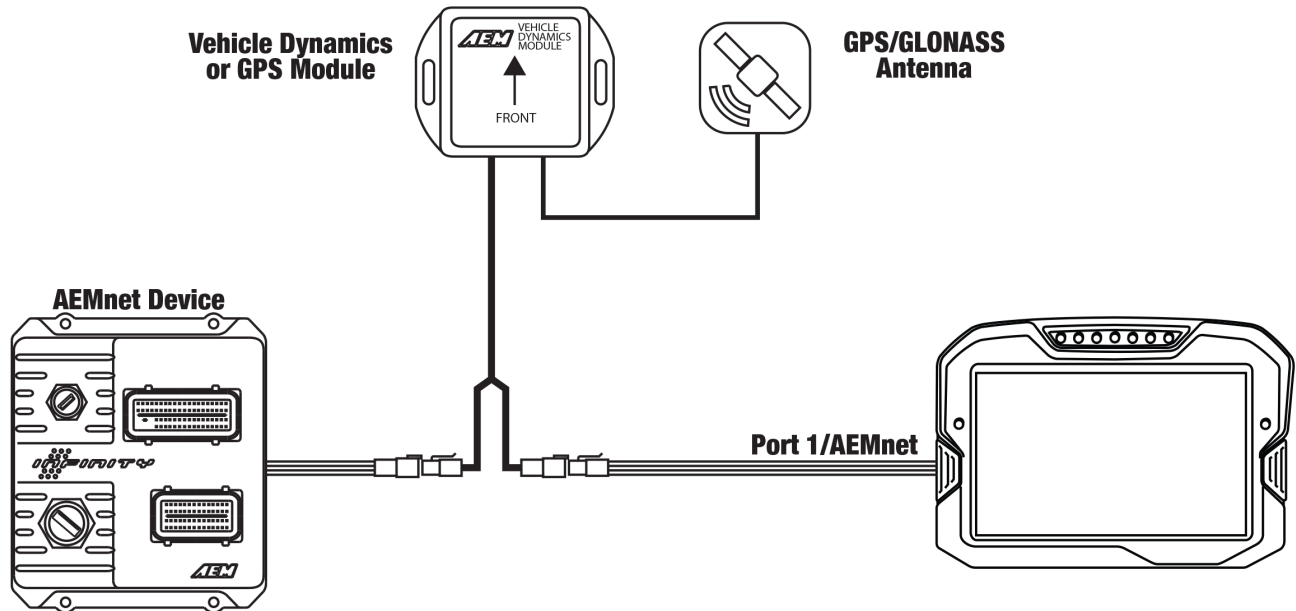


Figure 8 - Track Mapping with 30-2206 VDM or 30-2207 GPS Module

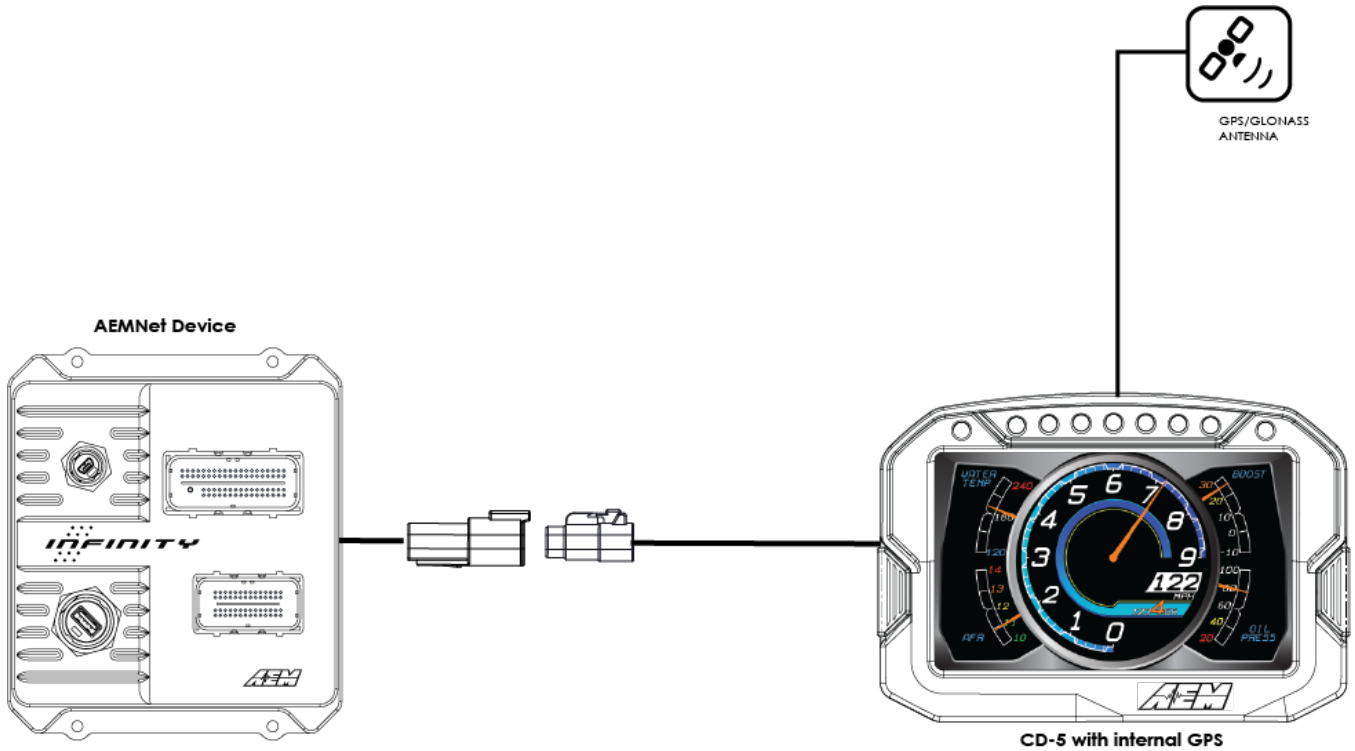
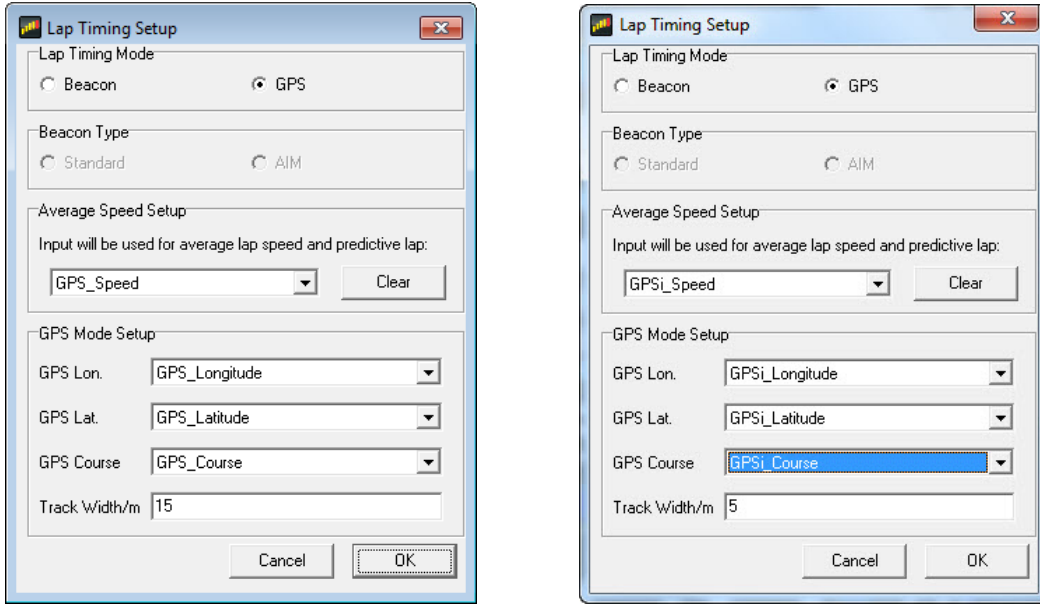


Figure 9 - Track Mapping with CD-5 with internal GPS

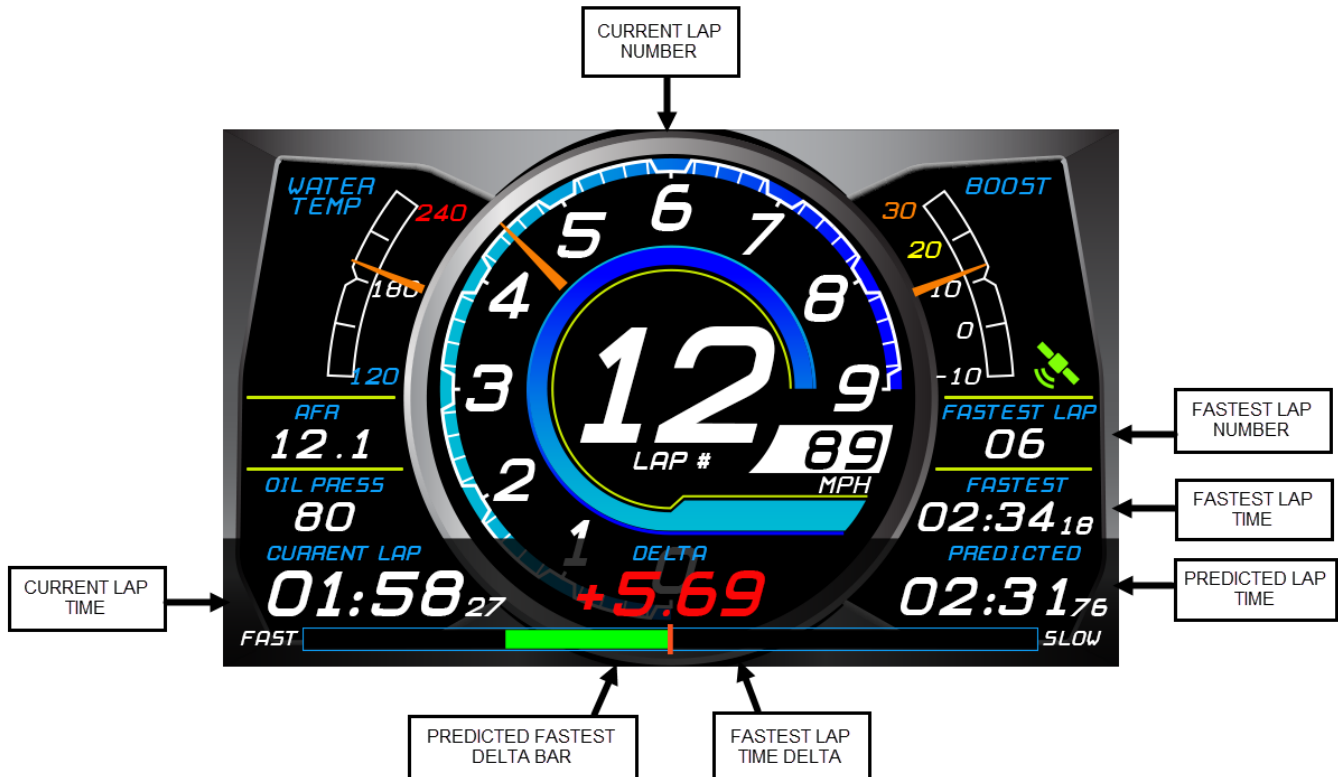
If using the AEM 5 Gauge layout file, the GPS channels are already configured and no additional setup is necessary. To add GPS channels to a layout that doesn't already have them, start by opening the desired layout file and then go Setup>Display, click on CAN Receive tab, select Port 1 and then click on Import CAN button. Locate the VDM/GPS Module dbc file, select either US or SI units and click Open. CAN Import window will open showing all channels available for import – leave all channels selected and click on Import. All VDM/GPS channels (listed below) have now been added to the Outputs channel list.

GPS Latitude	GPS Satellite Count	GPS Hours	Acceleration Z*
GPS Longitude	GPS Valid	GPS Minutes	Yaw Rate X*
GPS Speed	GPS Year	GPS Seconds	Yaw Rate Y*
GPS Altitude	GPS Month	Acceleration X*	Yaw Rate Z*
GPS Course	GPS Day	Acceleration Y*	*VDM only

Lap timing can be set up once the GPS channels have been imported. Go Setup>Lap Timing and the software should automatically recognize the newly added GPS channels and assign them accordingly. If the channels aren't set automatically, simply match the following example. If using a product with internal GPS, the GPS channels will include an "i" suffix after "GPS". For example "GPSi_Speed". The Show Predefined Outputs in the Setup Editor option must be checked for these channels to appear in the output list. External and internal GPS setup examples are shown below.

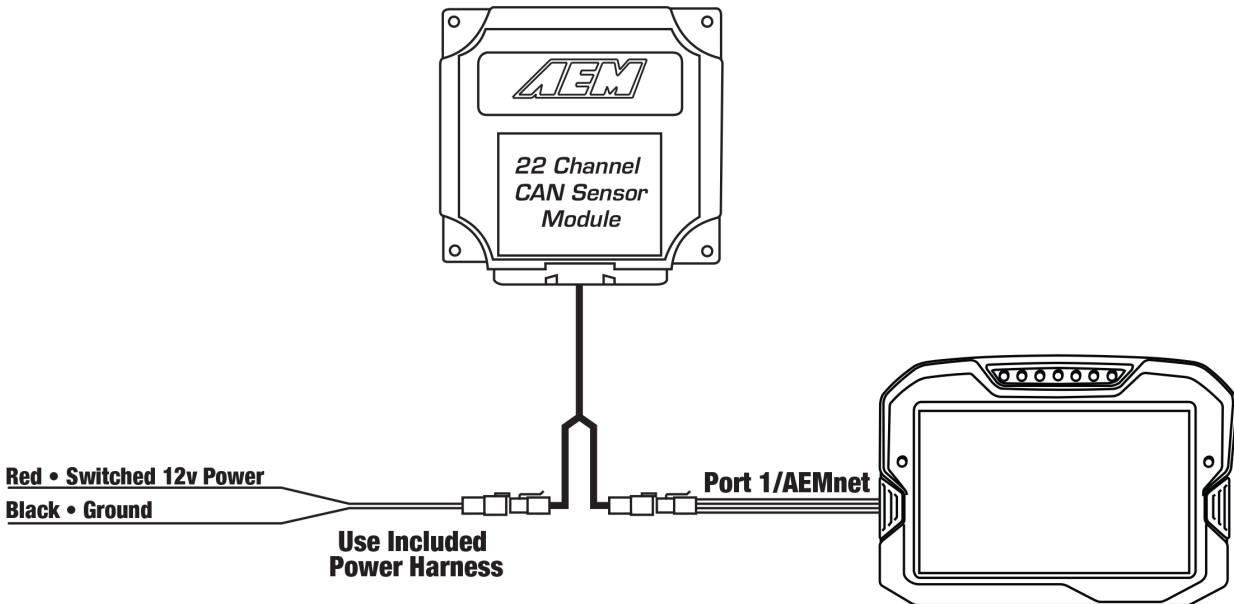


With track mapping configured, the race vehicle can be driven on track to collect GPS data. At the exact moment when crossing the start/finish line, the lap beacon button should be pressed and held momentarily until both the amber and red LEDs flash on the dash. The lap beacon button is an external input that must be added using the violet wire input. See Figure 4. The flashing LEDs indicate that the start/finish line GPS coordinates have been successfully set. Each time the vehicle crosses the start/finish line, a new lap will be counted and lap timer will reset – see below for definitions of lap timing channels from AEM 5 Gauge layout.



AEM CAN Sensor Module

An AEM 22 Channel CAN Sensor Module (30-2212) can be paired with a CD dash to provide analog, digital and frequency signals for display and logging. The module is added to the Port 1/AEMnet network using the AEMnet connector "Y" in its cable – see diagram. See CAN Sensor Module instruction manual for full installation guidelines.



AEM has supplied a number of pre-configured layouts for use with the CAN Sensor Module. The file name of each layout describes the vehicle setup that the layout has been configured for. Vehicle setups include carbureted or fuel injected, drag race or road race, with or without AEM VDM and US or SI units. All layouts are based on the suggested channel assignments listed in the pinout in the CAN Sensor Module instructions.

Channel Calibration

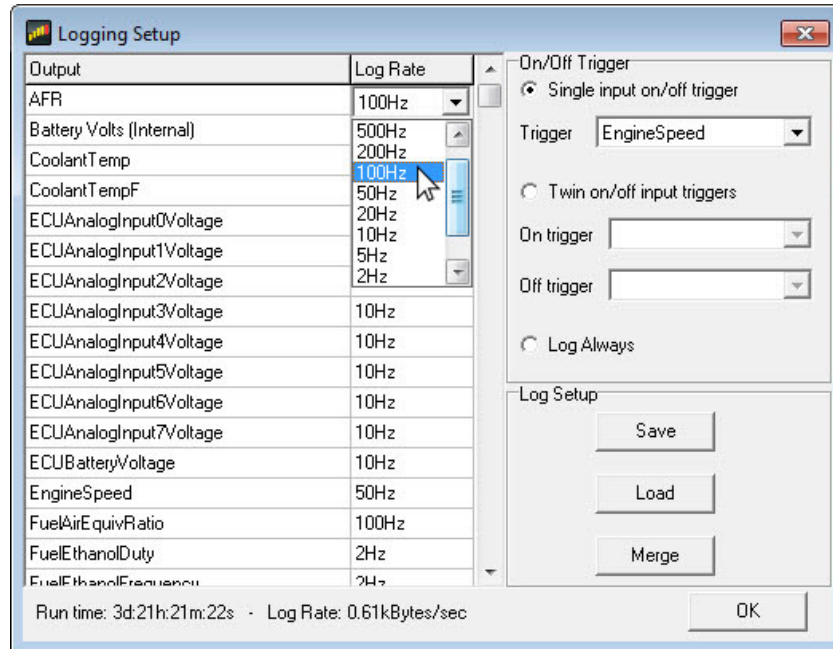
The channel data sent from the CAN Sensor Module is in a "raw" form such as voltage, frequency or resistance. Inputs from sensors such as pressure transducers or temperature sensors can use a predefined transfer function to go from raw units to engineering units. Other channels such as Vehicle Speed, Fuel Level and Throttle Position will require that a calibration be performed in order to get the channel to report accurately. See the 30-2212 manual for more details.

- **Vehicle Speed** - Base units is frequency. A scalar is applied to the raw frequency to get speed in MPH. The calibration is $\text{scalar} = (\text{tire diameter inches} * 0.18) / \text{number of speed sensor trigger teeth}$. For example, the scalar for a 26" tire and 12 teeth on the speed sensor trigger is $(26 * 0.18) / 12$ which is 0.390. To set the Vehicle Speed scalar, go Setup>Display>Scalars and locate VehicleSpeed_scalar. Using provided calibration calculation will get speed reading very close but speed calibration can be verified with a dyno or GPS. To decrease Vehicle Speed, decrease the VehicleSpeed_scalar value.
- **Fuel Level** - Base units is Ohms. A function table is used to assign a fuel level percentage to an Ohms value. To adjust the function table go Setup>Display>Functions and locate FuelLevelCalibration. While monitoring live data, note the Ohms value when the tank is completely empty and also when completely full. If the change in level sensor resistance is linear to fuel usage, the table can be left with empty and full values only. If the fuel tank is oddly shaped and the change in level sensor resistance does not represent a linear change in fuel usage, the function table can be setup to report a fuel level for each gallon added to the fuel tank from empty to give a more accurate reading.
- **Throttle Position** - Base units is volts. A function table is used to assign a throttle position percentage to a voltage value. To adjust the function table go Setup>Display>Functions and locate ThrottlePosCalibration. While

monitoring live data, note the voltage value when the throttle is completely closed and also when completely open. Assign the closed throttle voltage to 0 and the full open throttle voltage to 100.

Data Logging

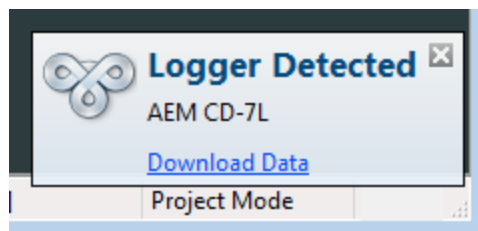
If using logging version of CD dash, logging can be configured by going to Setup>Logging to open the Logging Setup window. Here, channels can be selected to be logged and at what capture rate. Logging a specific channel also automatically selects all other children and parent channels for logging at the same rate.



The log can be started in one of three ways:

- **Single input start/stop** - When the specified input is non zero, the log will be started. When zero, the log will be stopped. For example, if the channel EngineSpeed is used as the trigger, the logger will log anytime the engine is running.
- **Twin start/stop triggers** - When the Start trigger is non zero, the log will be started. When the Stop trigger is non zero, the log will be stopped.
- **Log Always** - The logging starts logging immediately on power on and will log until switched off or until the log is full.

To download log files from the CD dash, launch AEMdata, power the dash on and connect the comms cable to bulkhead cable USB port. A Logger Detected message will be shown once the AEMdata software connects with the dash. In the message, click on Download Data, select the files to be saved and click Ok. Select a save location, name the file and click on Save.



Drill Template

Drill template prints to scale.

