

Billet Distributor Hold Down Clamp PN 8110

Parts Included

- 1 - Billet Clamp
- 1 - 3/8" - 16 x 1" set screw
- 1 - 3/8" - 16 nut
- 1 - 3/8" Lock Washer
- 1 - 3/8" Flat Washer

Note: The position of the Billet Hold Down Clamp is imperative to its operation. The end points of the clamp must seat squarely on the intake manifold as well as the distributor collar.

INSTALLATION

1. Install the set screw into the intake manifold using a 3/16" Allen wrench.
2. Install the Billet Clamp, flat washer, lock washer and the nut on the set screw.
3. Position the clamp on the distributor collar and tighten the nut. Figure 1 shows the correct installation of the clamp. If the clamp is excessively angled and the end points of the clamp do not properly seat, the clamp will not tighten properly.

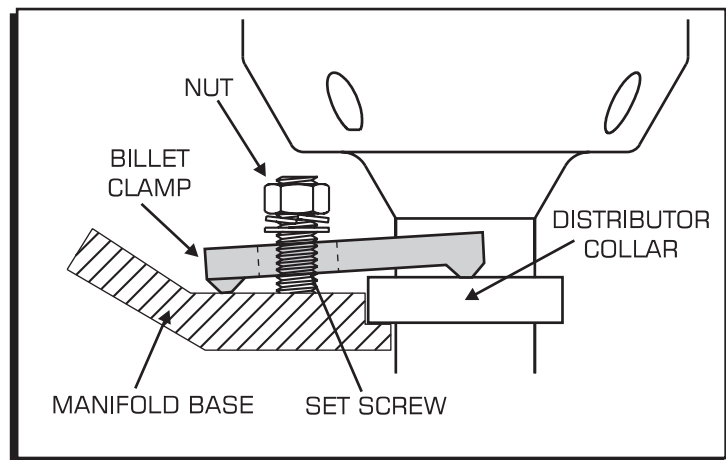


Figure 1 Correct Billet Hold Down Installation.



INSTALLATION INSTRUCTIONS

NOTES

Service

In case of malfunction, this MSD component will be repaired free of charge according to the terms of the warranty. When returning MSD components for warranty service, **Proof of Purchase** must be supplied for verification. After the warranty period has expired, repair service is based on a minimum and maximum fee.

All returns must have a Return Material Authorization (RMA) number issued to them before being returned. To obtain an RMA number please contact MSD Customer Service at 1 (888) MSD-7859 or visit our website at www.msdivignition.com/rma to automatically obtain a number and shipping information.

When returning the unit for repair, leave all wires at the length in which you have them installed. Be sure to include a detailed account of any problems experienced, and what components and accessories are installed on the vehicle. The repaired unit will be returned as soon as possible using Ground shipping methods (ground shipping is covered by warranty). For more information, call MSD Ignition at (915) 855-7123. MSD technicians are available from 7:00 a.m. to 6:00 p.m. Monday - Friday (mountain time).

Limited Warranty

MSD IGNITION warrants this product to be free from defects in material and workmanship under its intended normal use*, when properly installed and purchased from an authorized MSD dealer, for a period of one year from the date of the original purchase. This warranty is void for any products purchased through auction websites. If found to be defective as mentioned above, it will be repaired or replaced at the option of MSD Ignition. Any item that is covered under this warranty will be returned free of charge using Ground shipping methods.

This shall constitute the sole remedy of the purchaser and the sole liability of MSD Ignition. To the extent permitted by law, the foregoing is exclusive and in lieu of all other warranties or representation whether expressed or implied, including any implied warranty of merchantability or fitness. In no event shall MSD Ignition or its suppliers be liable for special or consequential damages.

*Intended normal use means that this item is being used as was originally intended and for the original application as sold by MSD Ignition. Any modifications to this item or if it is used on an application other than what MSD Ignition markets the product, the warranty will be void. It is the sole responsibility of the customer to determine that this item will work for the application they are intending. MSD Ignition will accept no liability for custom applications.