

MSD IGNITION® INSTALLATION INSTRUCTIONS

MSD APS Starter

FORD 289, 302, 351W Automatic and 5-Speed Trans PN 5090

IMPORTANT: Proper installation of the APS Starter is important to the overall operation. Correct alignment of the starter pinion with the ring gear is needed to achieve the best operation and longevity from your starter. Please read the instructions before attempting the installation.

Parts Included:

1 - Starter	1 - Shim Ring
2 - Mounting Bolts	1 - Outer Shim

WARNING: Before installing the APS Starter disconnect the battery cables. When disconnecting the battery cables, always remove the Negative (-) cable first and install it last.

1. Make sure the starter mounting flange on the engine block is clean and smooth.
2. Install the starter with the supplied hardware. It is recommended to leave the shims out until the pinion gear to ring gear teeth mesh is checked. Torque the bolts to 18 lb-ft.
3. Check that the position of the solenoid is away from direct heat sources and other components. If there are clearance problems, the starter housing can be rotated to move the location of the solenoid. This is done by removing the three bolts on the mounting block and repositioning the starter motor (Figure 1).

This application is for small block automatics and late model 5-speeds. The distance from the mounting surface of the starter to the front face of the ring gear should be $3/4"$.

4. With the starter installed, check the clearance between the ring gear and the edge of the pinion gear (Figure 2). There should be at least $1/16"$. It is recommended to check this clearance in at least three places around the flex plate.

- **If there is not enough clearance**, you will need to install the supplied shim kit by removing the mounting block (Figure 3). Place the small shim ring in the bearing bore and install the outer shim on the support housing. Reinstall the mounting block. This will move the pinion gear into the starter approximately $0.060"$.

Note: This starter cannot be used on any 3 and 4-speed applications. Early model 3 and 4 speed manual transmission flywheels are closer to the starter mount surface ($3/8"$) and will prevent the starter gear from separating from the flywheel.

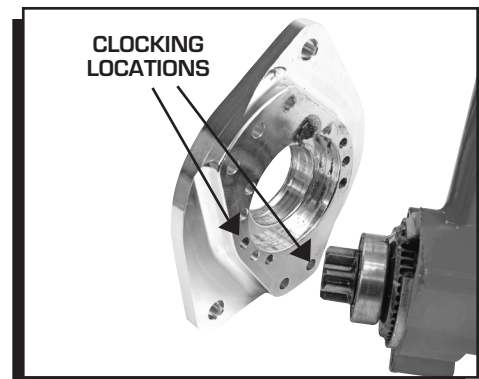


Figure 1 Clocking the Starter for Clearance.

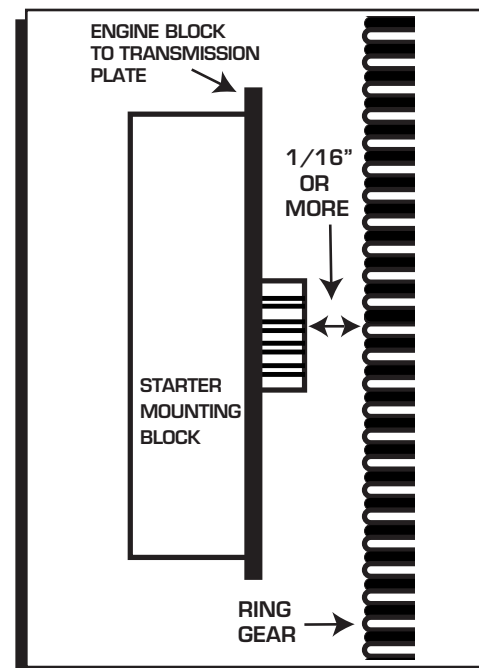


Figure 2 Checking Pinion Clearance.

5. To check the pinion gear mesh, gently pry the gear out to engage to the ring gear. (Sometimes the pinion will not retract. This is normal.) Insert a wire gauge as shown in Figure 4. As a gauge, a standard 1.25" paperclip could be used as they generally are about .035" in diameter. There should be .020"-.035" clearance between the ring gear tooth and the pinion gear. The gear mesh is not adjustable on this application. Verify that all parts are correct for the application (flywheel, block plate, starter) and verify starter is mounted correctly to engine plate.

6. The switch wire that connects to the solenoid should be at least 14-gauge (Figure 5).

Note: If your original starter had wire going to a second terminal, an 'R' terminal, this can generally be bypassed. See the information on the last page of the instructions for more details.

7. Attach the battery cable. The gauge of the battery cable depends on its length. Using the proper gauge wire is important to the operation of the starter. Both the positive and ground wires must be able to meet the demands of the starter. The chart in Figure 5 shows the recommended sizes. Be sure to route the wire away from the exhaust and moving parts of the engine.

8. Connect the battery terminals and start the engine.

IMPORTANT: Never operate a starter for more than 30 seconds at a time without letting it cool for at least two minutes.

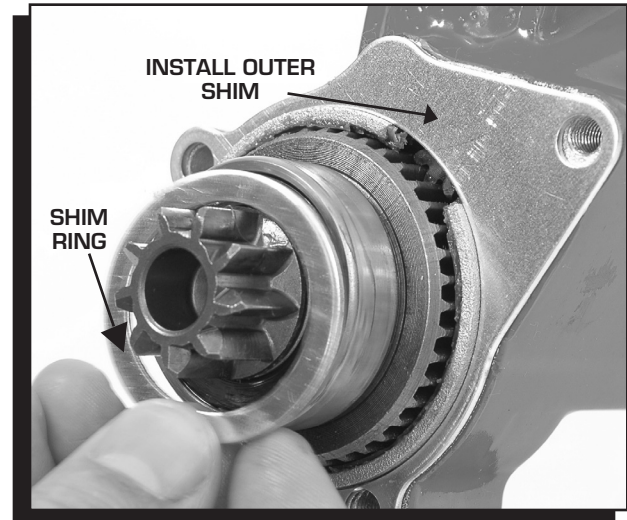


Figure 3 Installing the Pinion Shim Spacers.

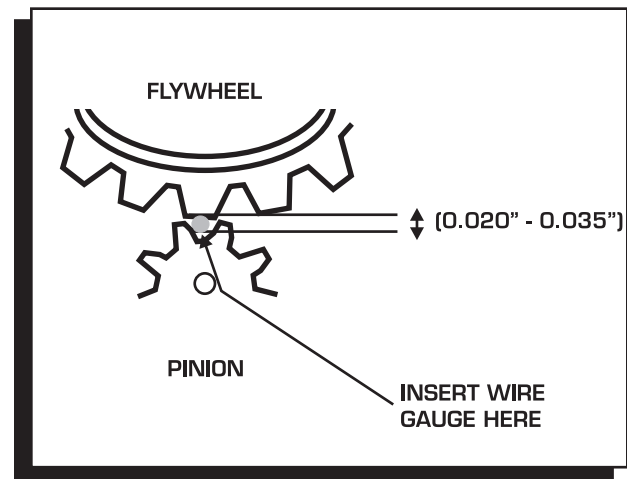


Figure 4 Checking Gear Mesh.

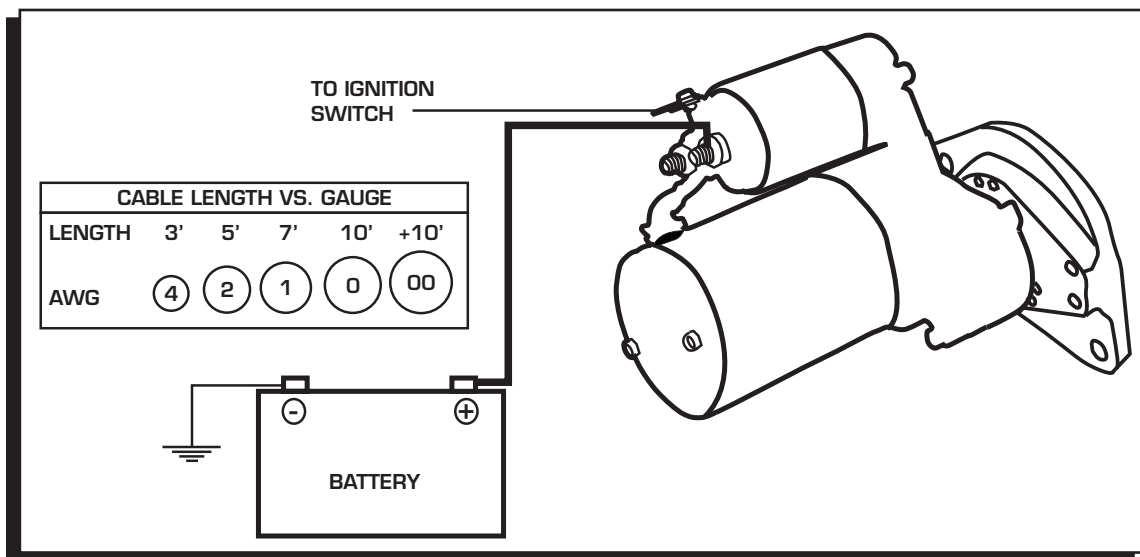


Figure 5 Wiring the Starter.

